



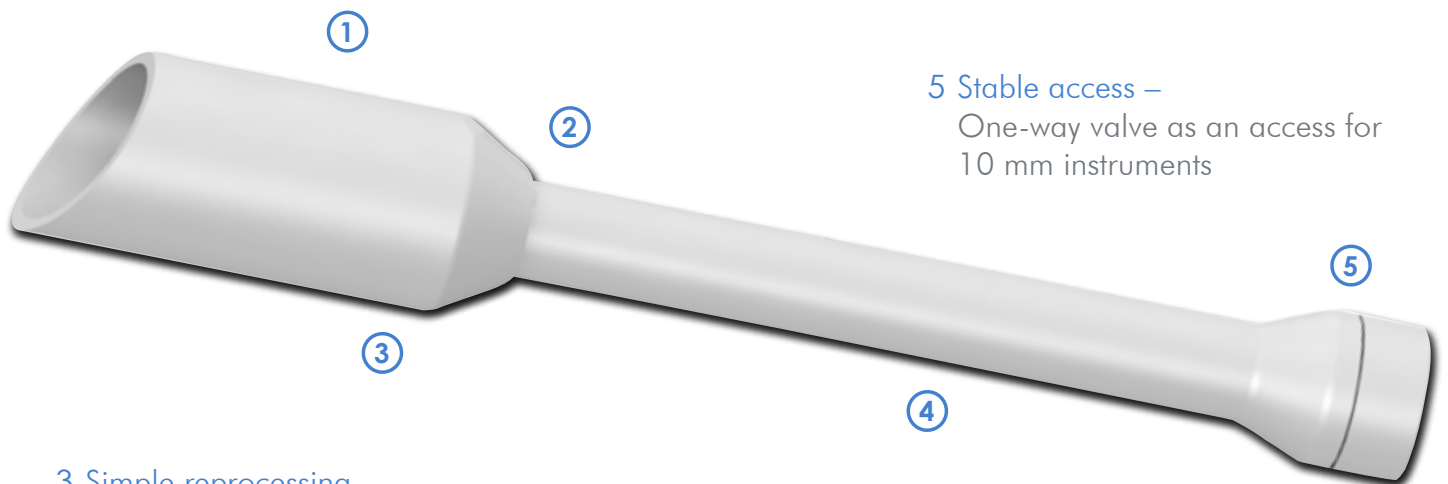
# My Tube

## Uncomplicated use in gynecology

Reusable and universal instrument to be used in colpotomy, LAVH or TLH.

1 **Atraumatic instrument attachment** –  
In gynecologic-anatomy adapted design

2 **Optimal sizes** –  
Reusable attachments in three  
sizes: 30, 40 and 50mm



5 **Stable access** –  
One-way valve as an access for  
10 mm instruments

3 **Simple reprocessing** –  
robust, biocompatible high performance plastic can be easily processed at 134 ° C / 3 bar

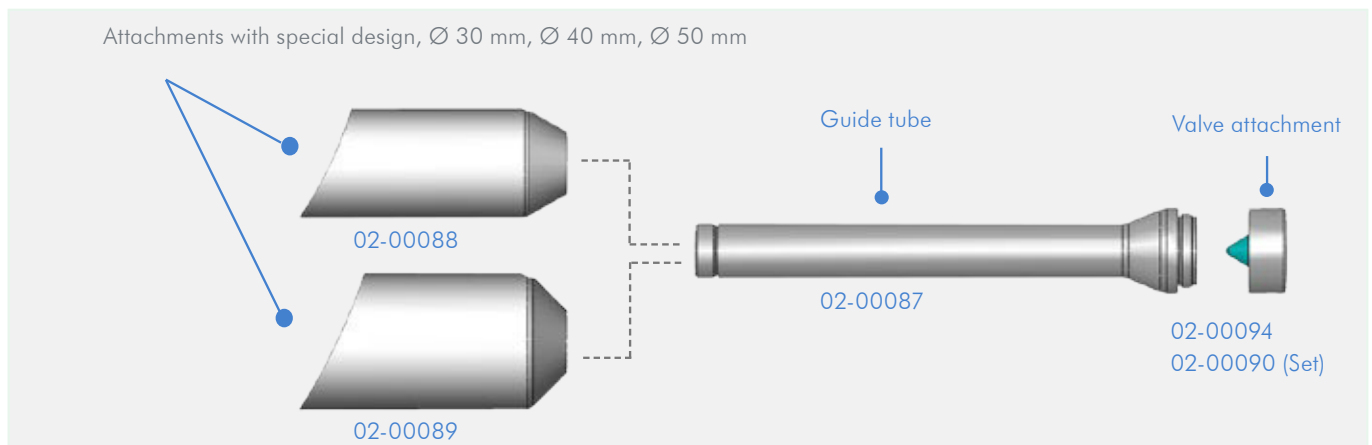
4 **Lightweight** –  
solid, reusable guiding tube

- **Good visualization** of the uterine vessels for a safe dissection
- **Stable pneumoperitoneum** during application
- Ease of use, increases **patient safety** and allows a reduced **operating time**



## Simple technique for greater efficiency

Exchangeable attachments allow simple adaptation to different anatomies and surgical techniques. The new combination system comprising disposable and reusable components is both, functional and cost-efficient.



## Ordering information

<b>02-00091</b> MyTube-colpotomy-set incl. set of valves:	<b>02-00087</b>	Guiding tube Ø 12 mm (ID) x 184 mm, reusable
	<b>02-00088</b>	Attachment Ø 40 mm x 85 mm, reusable
	<b>02-00089</b>	Attachment Ø 50 mm x 85 mm, reusable
	<b>02-00094</b>	Valve-set Ø 10 mm, sterile for 1 single use, 1 piece / pack
	<b>02-00090</b>	Set valve cover Ø 10 mm, sterile for 5 single uses, 5 pcs. / pack
Optional:	<b>02-00095</b>	Attachment Ø 30 mm x 70 mm, reusable